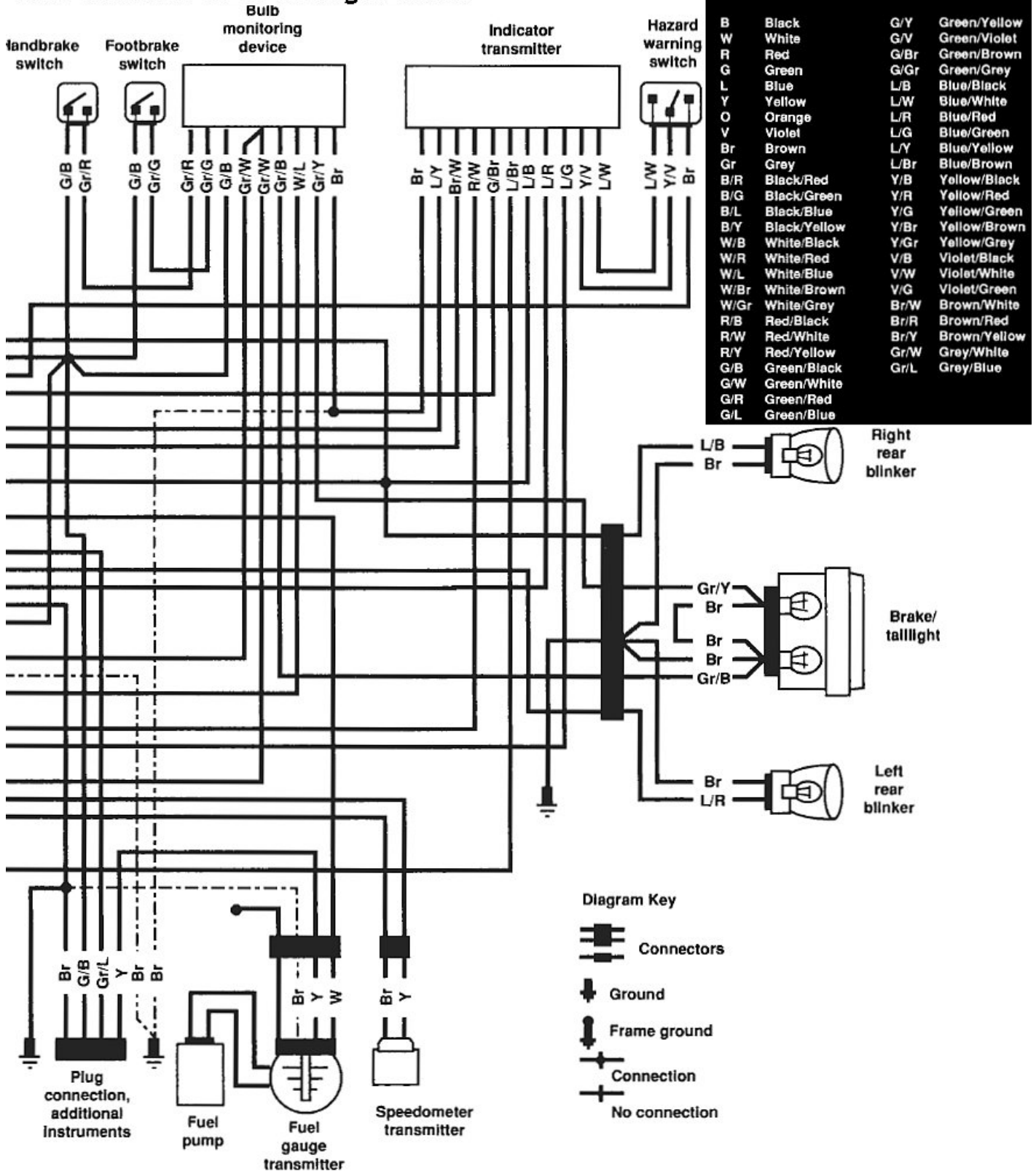


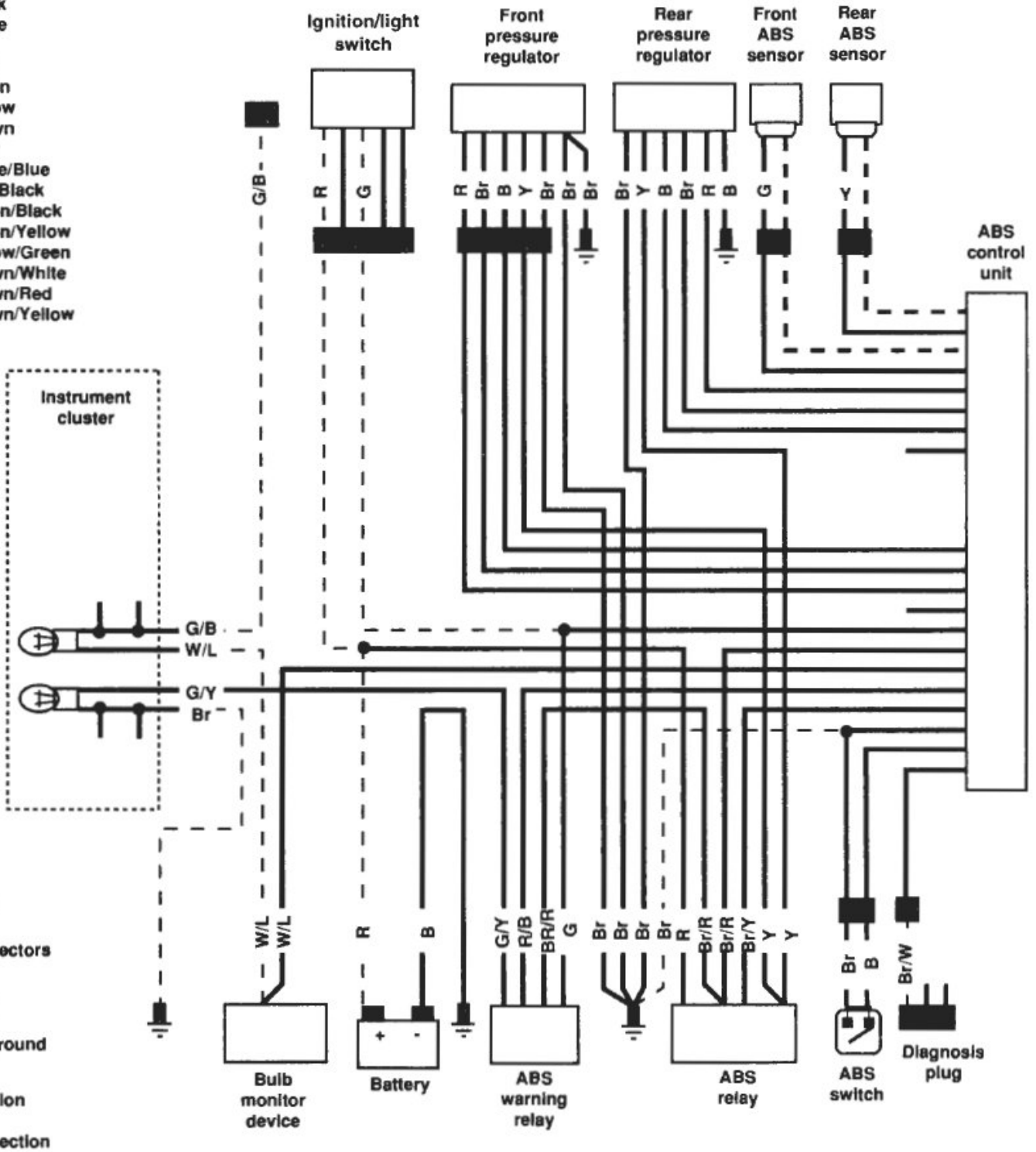
1993 K1100LT Main Wiring Harness



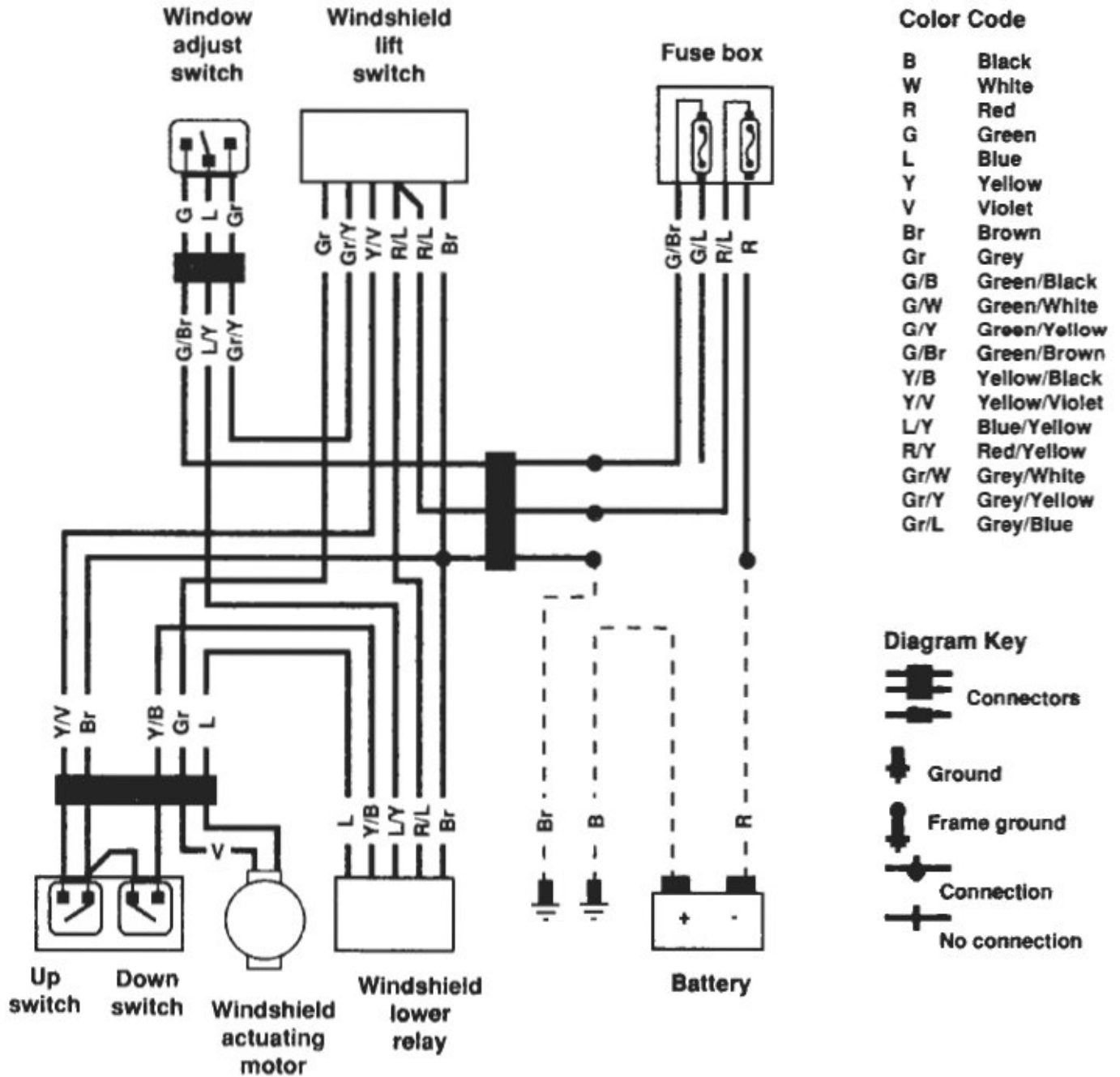
1993 K1100RS, K1100LT ANTILOCK BRAKE SYSTEM

Color Code

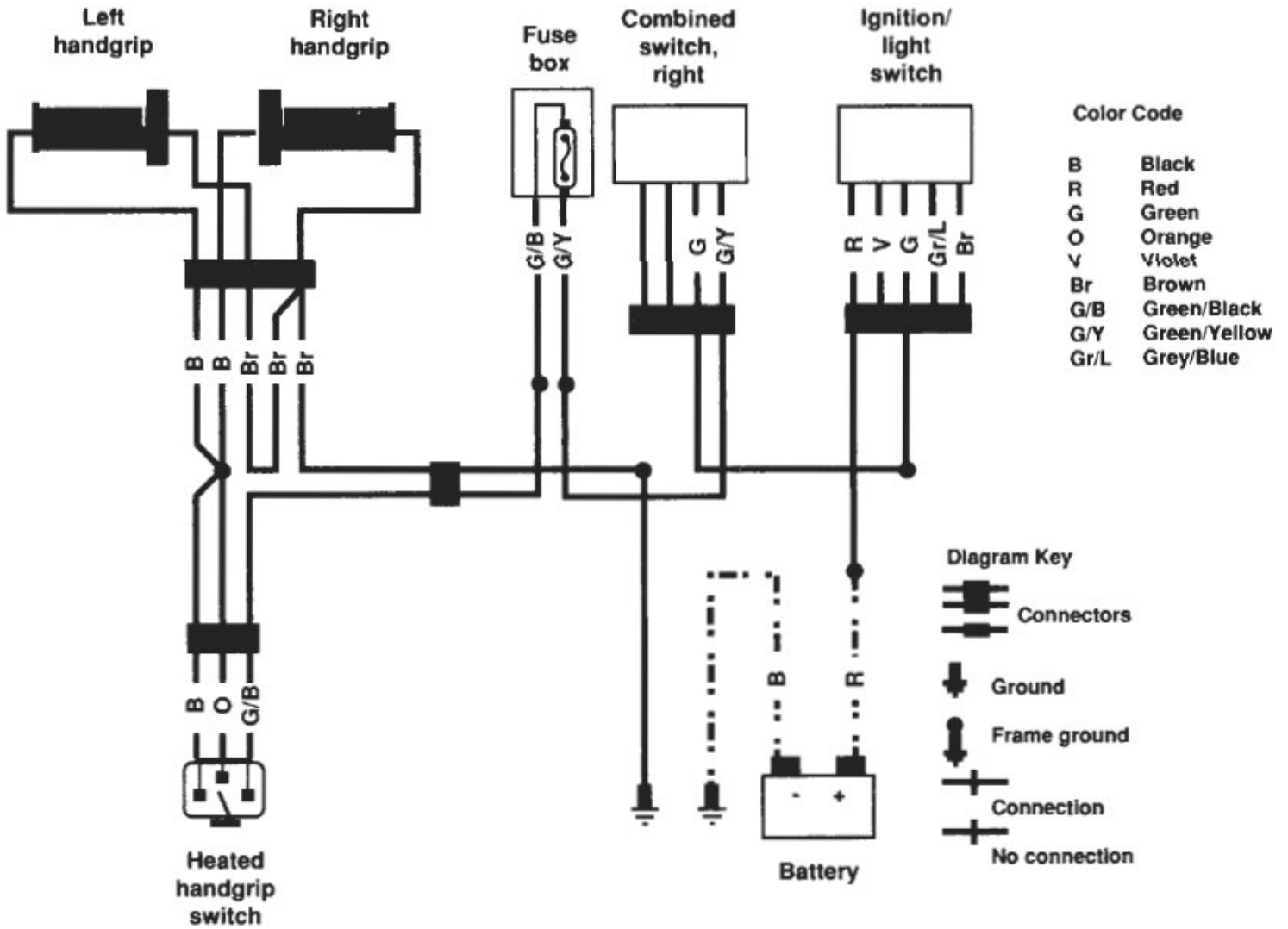
B	Black
W	White
R	Red
L	Blue
G	Green
Y	Yellow
Br	Brown
Gr	Grey
W/L	White/Blue
R/B	Red/Black
G/B	Green/Black
G/Y	Green/Yellow
Y/G	Yellow/Green
Br/W	Brown/White
Br/R	Brown/Red
Br/Y	Brown/Yellow



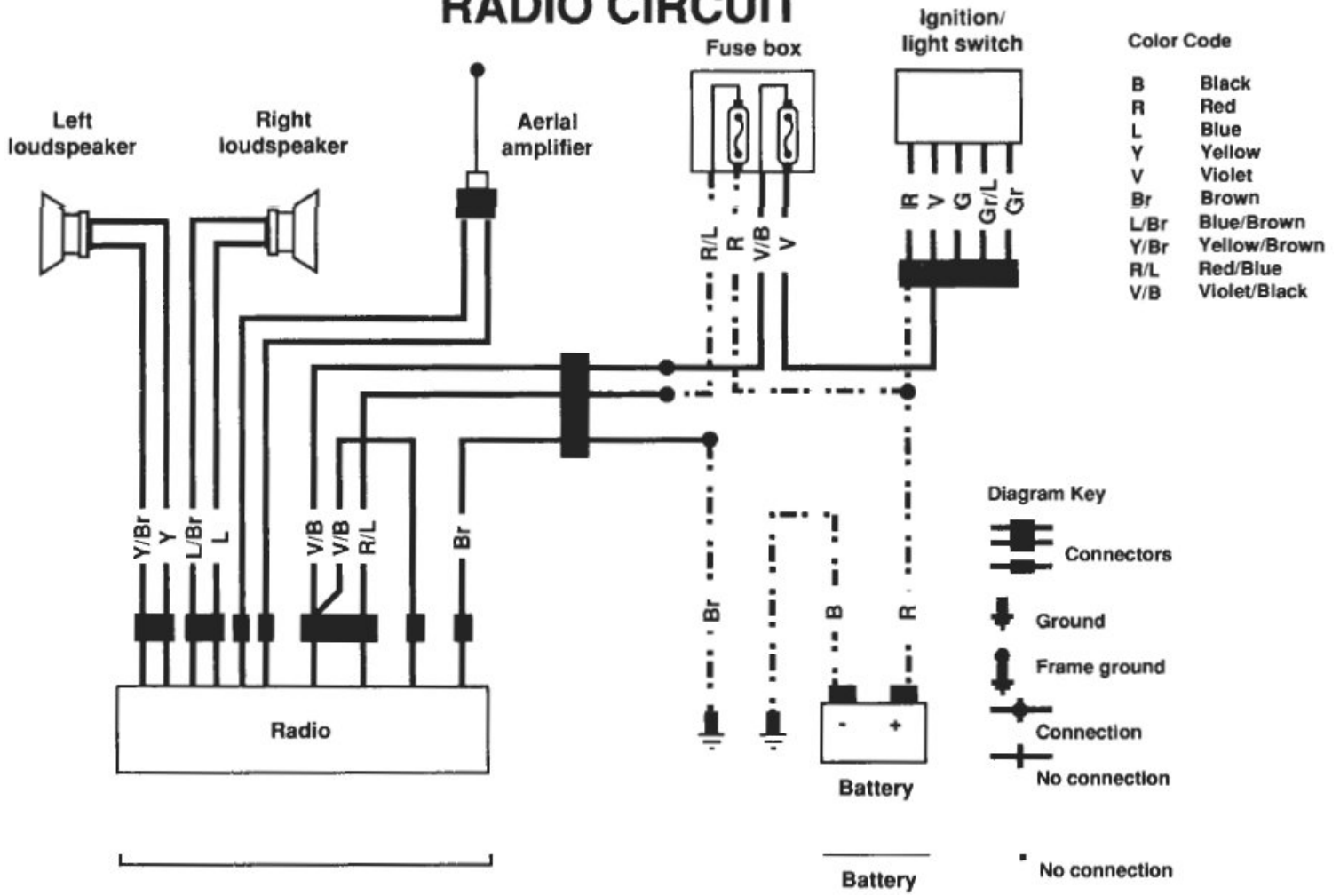
1993 K1100LT WINDSHIELD CIRCUIT



1993-ON K1100RS, K1100LT HEATED HANDLEBAR GRIP CIRCUIT



1993 K1100LT RADIO CIRCUIT



1993-ON K1100LT READING LAMP CIRCUIT

